



## PLATINUM SPOT LED PRO II™

SKU# **EPS060**

The new Platinum Spot LED PRO II™ features an extremely bright 170W Cool White LED engine, 15° to 33° motorized zoom, 7 dichroic colors plus white, 7 rotating, interchangeable, glass and 7 static metal gobos, frost filter hybrid wash effect, 3-facet rotating prism with 16 prism macros, motorized iris, focus, and dimming, high speed mechanical shutter and strobe, hibernation mode, 3 and 5pin DMX in/out connections, internal wireless DMX receiver, RDM (Remote Device Management), full color 180° reversible menu display with 6 button touch control panel, battery backup for display power, a multi-voltage universal auto switching power supply (100-240v), and flicker free operation for TV and FILM.

### FEATURES

**Extremely Bright Cool White LED Spot Illuminare**

**170W, 6,500K, >85CRI, 60,000 Hours**

**Low Heat, Quiet Operation, and Hibernation Mode**

**15° - 33° Motorized Zoom**

**7 Dichroic Colors + White**

**7 Rotating Interchangeable and 7 Static Gobos**

**3-Facet Rotating Prism and Frost Filter Hybrid Wash Effect**

**Internal EWDMA Wireless DMX Receiver**

**Flicker Free Operation For Broadcast TV and FILM**



ELATION | PLATINUM SPOT LED PRO II™ | Product Specification Sheet

Specifications are subject to change without notice ©Elation Professional

Elation Professional USA | 6122 S. Eastern Ave. | Los Angeles, CA. 90040  
323-582-3322 | 323-832-9142 fax | www.elationlighting.com | info@elationlighting.com

Elation Professional B.V. | Junostraat 2 | 6468 EW Kerkrade, Netherlands  
+31 45 546 85 66 | +31 45 546 85 96 fax | www.elationlighting.eu | info@elationlighting.eu

**PRODUCT SPECIFICATIONS**

**FEATURES**

Extremely Bright Cool White LED Spot Illuminare  
 Low Heat, Quiet Operation, and Hibernation Mode  
 15° - 33° Motorized Zoom  
 Frost Filter Hybrid Wash Effect  
 Internal EWDMX Wireless DMX Receiver  
 Flicker Free Operation For Broadcast TV and FILM

**SOURCE**

170W Cool White LED Engine  
 60,000 Hour Average LED Life

**PHOTOMETRIC DATA**

6,500K, >85CRI  
 12,200 LUX 1,113 FC @8.2' (2.5m) (15°Min Zoom Full ON)  
 3,110 LUX 289 FC @8.2' (2.5m) (33° Max Full ON)

**EFFECTS**

Frost Filter Hybrid Wash Effect  
 3-Facet Rotating Prism and Prism Macros  
 Motorized Focus and Dimming 0% - 100%  
 Iris: 5% - 100%  
 Strobe: 1-18fps

**COLOR**

7 Dichroic Colors + White (Open)

**GOBOS**

7 Interchangeable / Rotating / Indexing Gobos  
 Gobo Size: OD 1.06" (27mm) / ID 0.86" (22mm)  
 7 Static / Indexing Gobos

**CONTROL / CONNECTIONS**

(3) DMX Channel Modes (17 / 15 / 22)  
 RDM (Remote Device Management)  
 6 Button Touch Control Panel  
 Full Color 180° Reversible LCD Menu Display  
 8 / 16 Bit Resolution Adjustable Movement  
 Internal EWDMX Wireless DMX Receiver  
 3pin & 5pin DMX In/Out

**SIZE / WEIGHT**

Length: 15.1" (384mm)  
 Width: 14.8" (375mm)  
 Vertical Height: 23.7" (601mm)  
 Weight: 46.3 lbs. (21 kg)

**ELECTRICAL / THERMAL**

AC 100-240V - 50/60Hz  
 290W Max Power Consumption  
 -13°F to 113°F (-25°C to 45°C)

**APPROVALS / RATINGS**

CE Approved  
 cETLus Approved  
 RoHs Compliant  
 IP20 Rated

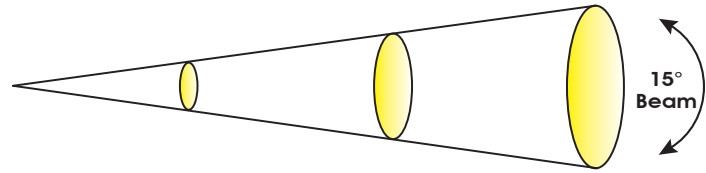
**INSTALLATION**

Rigging: Clamps (Not Included)  
 Working Position: Flat Surface / Inverted (180°)

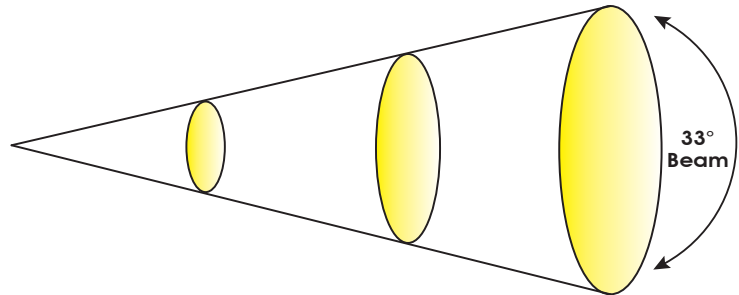
**INCLUDED ITEMS**

Omega Brackets  
 3pin DMX Cable  
 Safety Cable

**PHOTOMETRIC DATA**

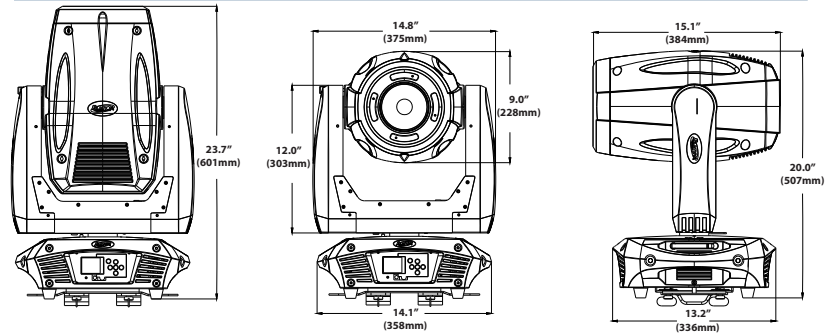


MIN ZOOM	m	ft	m	ft	m	ft
Distance	2.5	8.2	5	16.4	7.5	24.6
15° Beam Diameter	0.68	2.2	1.28	4.2	1.89	6.2
Full ON	lux	fc	lux	fc	lux	fc
	12,200	1133	3,488	324	1,637	152



MAX ZOOM	m	ft	m	ft	m	ft
Distance	2.5	8.2	5	16.4	7.5	24.6
33° Beam Diameter	1.44	4.7	2.88	9.4	4.33	14.2
Full ON	lux	fc	lux	fc	lux	fc
	3,110	289	781	73	360	33

**DIMENSIONAL DIAGRAMS**



**OPTIONAL ACCESSORIES**

ORDER CODE	ITEM
TRIGGER CLAMP	Heavy Duty Wrap Around Hook Style Clamp
DRCPLAT	Dual Road Case For Platinum Spot LED PRO II™
DRCPLATQUAD	Quad Road Case For Platinum Spot LED PRO II™
ELO211	Eloader II™ Software Updater Box
EWDMXSYSTEM	Wireless DMX System (1 Transmitter, 1 Receiver)
EWDMXT	Wireless DMX Transmitter
EWDMXR	Wireless DMX Receiver
AC3PDMX5PRO	5 ft. (1.5m) 3pin PRO DMX Cable
AC3PDMX10PRO	10 ft. (3m) 3pin PRO DMX Cable
AC3PDMX15PRO	15 ft. (4.5m) 3pin PRO DMX Cable
AC5PDMX5PRO	5 ft. (1.5m) 5pin PRO DMX Cable
AC5PDMX10PRO	10 ft. (3m) 5pin PRO DMX Cable
AC5PDMX15PRO	15 ft. (4.5m) 5pin PRO DMX Cable
	Additional cable lengths available: 25, 50, 100 ft (7.5, 15.2, 30.5m)



Specifications are subject to change without notice ©Elation Professional

Elation Professional USA | 6122 S. Eastern Ave. | Los Angeles, CA, 90040  
 323-582-3322 | 323-832-9142 fax | www.elationlighting.com | info@elationlighting.com

Elation Professional B.V. | Junostraat 2 | 6468 EW Kerkrade, Netherlands  
 +31 45 546 85 66 | +31 45 546 85 96 fax | www.elationlighting.eu | info@elationlighting.eu